

## GM-CH Stainless Steel 316 Cast Hinge

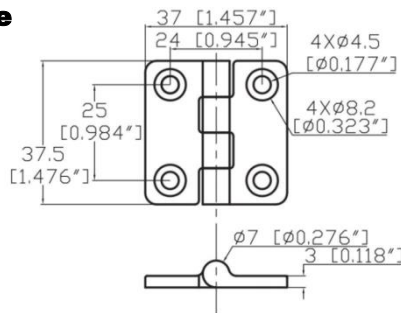
### Features

- Thin cast hinge with extruded roll pin
- Low profile hinge barrel design is welded closed on both ends
- Tight tolerance construction
- Durability and aesthetics combined

### Material

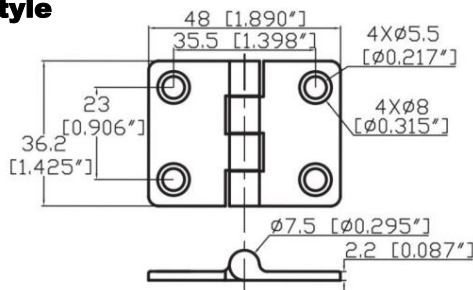
- Stainless steel 316

### Butt Hinge, Barrel Up Style



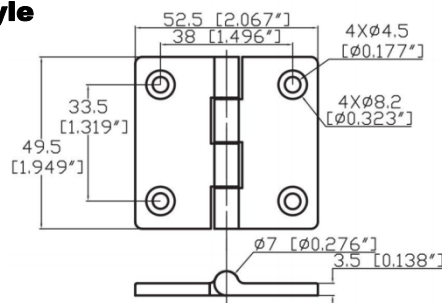
Part No.	Dimensions	Screw Size
GM-CH-I936621	37.5 x 37	#8 or M4

### Butt Hinge, Barrel Up Style



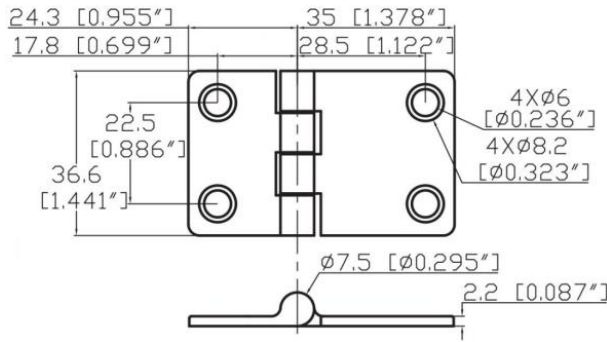
Part No.	Dimensions	Screw Size
GM-CH-I936625	36.2 x 48	#8 or M4

### Butt Hinge, Barrel Up Style



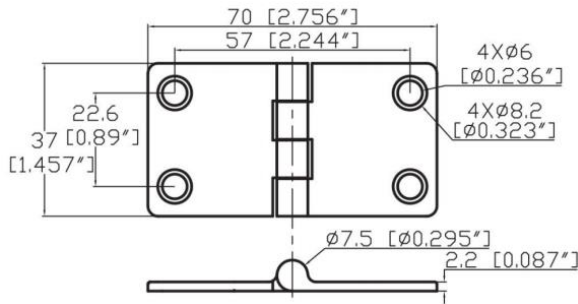
Part No.	Dimensions	Screw Size
GM-CH-I936622	49.5 x 52.5	#8 or M4

## Butt Hinge, Barrel Up Style



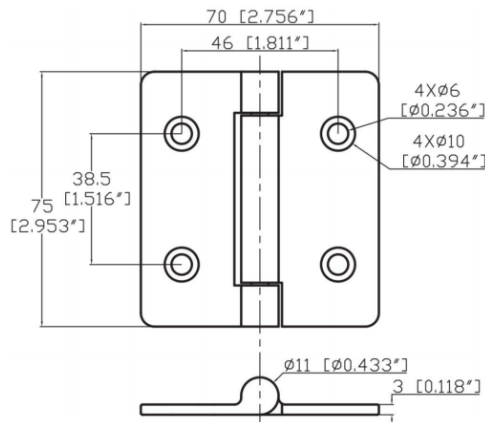
Part No.	Dimensions	Screw Size
GM-CH-I936627	36.6 x 59.3	#8 or M4

## Butt Hinge, Barrel Up Style



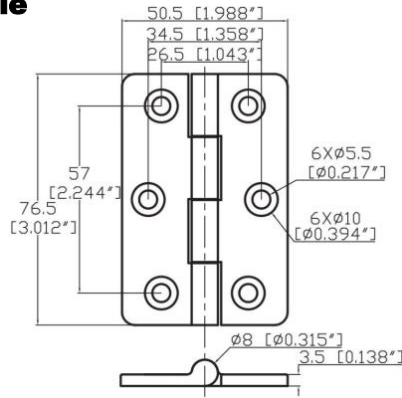
Part No.	Dimensions	Screw Size
GM-CH-I936628	37 x 70	#8 or M4

## Butt Hinge, Barrel Up



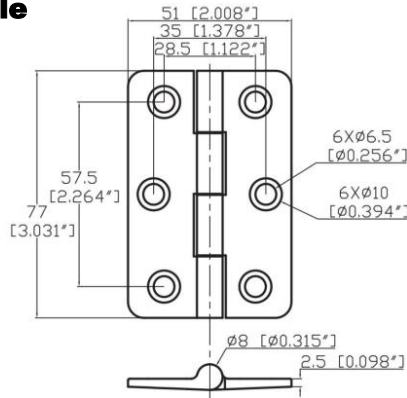
Part No.	Dimensions	Screw Size
GM-BHBU-J519870	75 x 70	#10 or M5

### Butt Hinge, Barrel Up Style



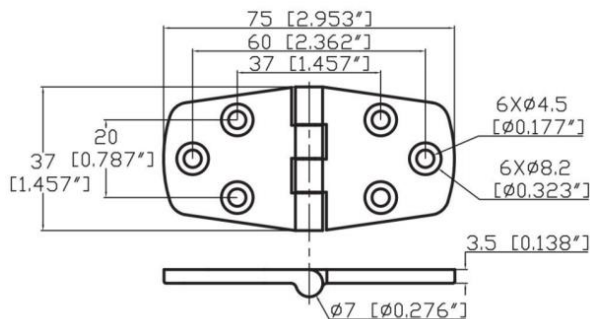
Part No.	Dimensions	Screw Size
GM-CH-J122250	76.5 x 50.5	#10 or M5

### Butt Hinge, Barrel Up Style



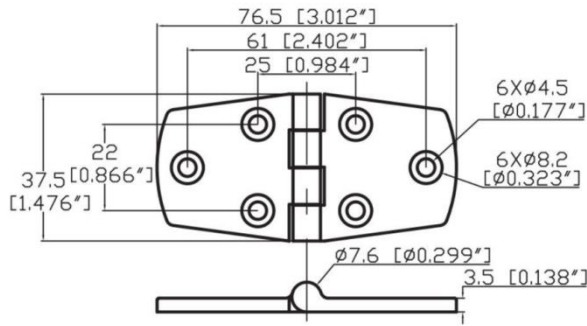
Part No.	Dimensions	Screw Size
GM-CH-J519876	77 x 51	#10 or M5

### Flat Door Hinge, Barrel Down Style



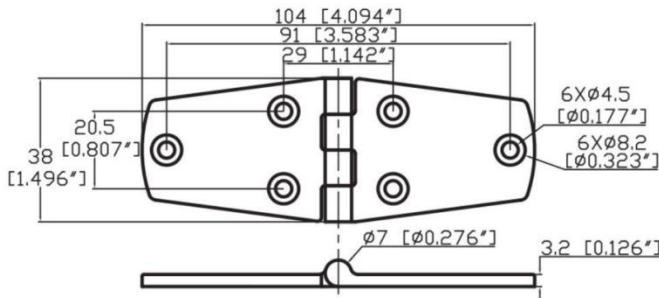
Part No.	Dimensions	Screw Size
GM-CH-J022207	37 x 75	#8 or M4

## Utility Hinge, Barrel Up Style



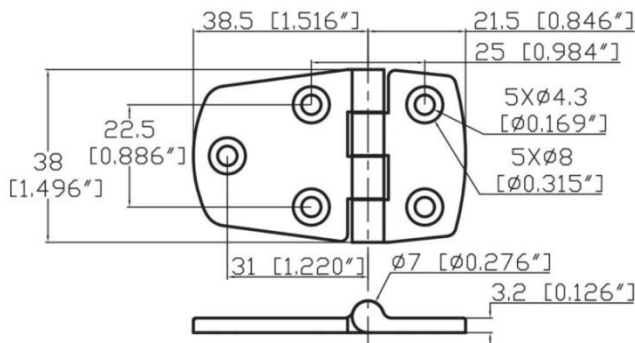
Part No.	Dimensions	Screw Size
GM-CH-I936635	37.5 x 76.5	#8 or M4

## Utility Hinge, Barrel Up Style



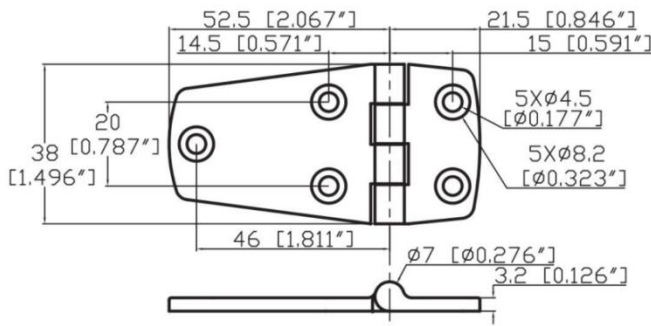
Part No.	Dimensions	Screw Size
GM-CH-I936636	38 x 104	#8 or M4

## Cabinet Hinge, Barrel Up Style



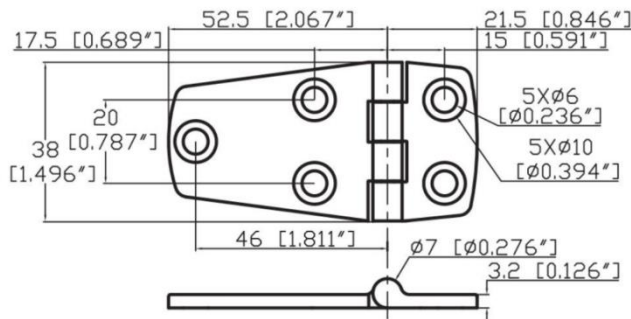
Part No.	Dimensions	Screw Size
GM-CH-I936631	38 x 60	#8 or M4

### Cabinet Hinge, Barrel Up Style



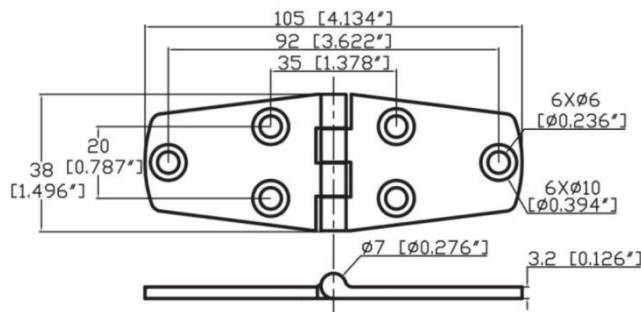
Part No.	Dimensions	Screw Size
GM-CH-I936632	38 x 74	#8 or M4

### Cabinet Hinge, Barrel Up Style



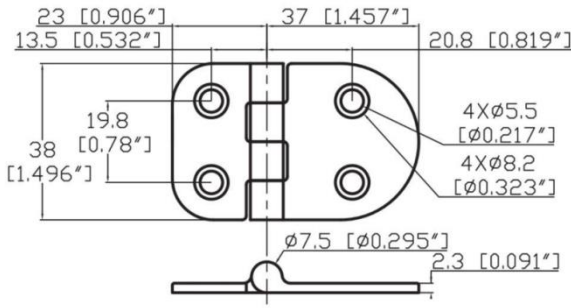
Part No.	Dimensions	Screw Size
GM-CH-I936632-2	38 x 74	#10 or M5

### Door Hinge, Barrel Up Style



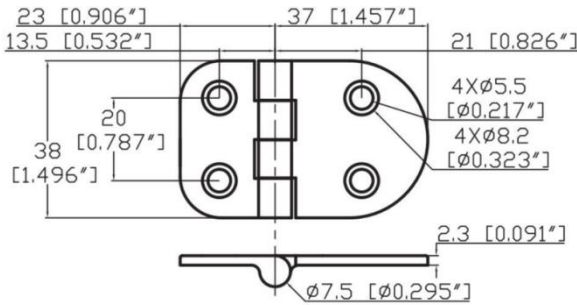
Part No.	Dimensions	Screw Size
GM-CH-A219290	38 x 105	#10 or M5

## Round Side Hinge, Barrel Up Style



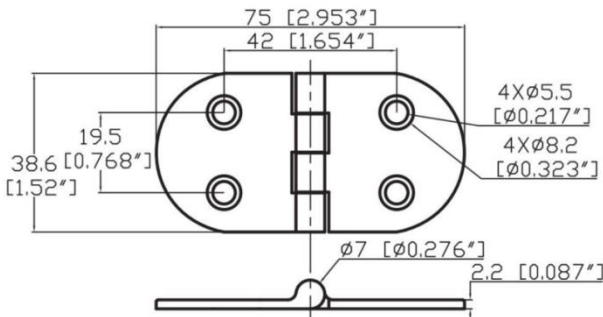
Part No.	Dimensions	Screw Size
GM-CH-J519380	38 x 60	#8 or M4

## Round Side Hinge, Barrel Down Style



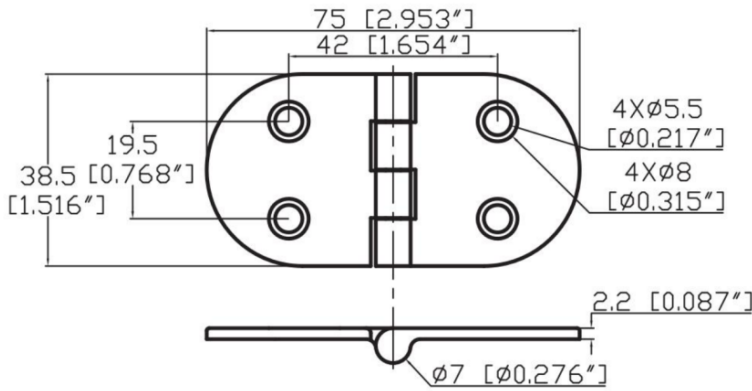
Part No.	Dimensions	Screw Size
GM-CH-J324320	38 x 60	#8 or M4

## Round Side Hinge, Barrel Up Style



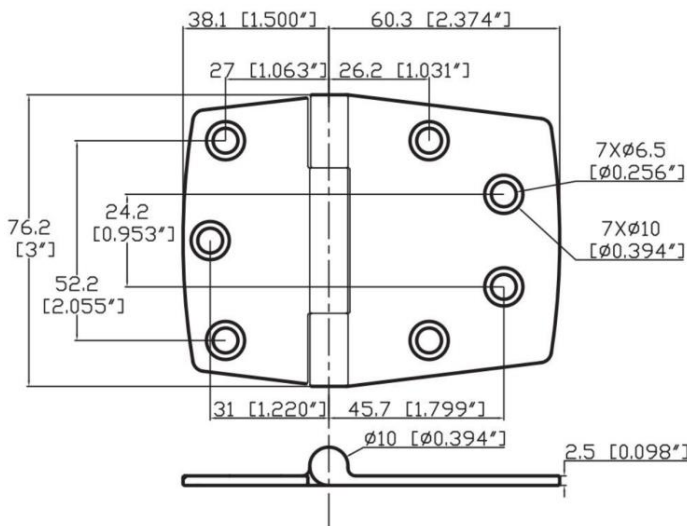
Part No.	Dimensions	Screw Size
GM-CH-I836645	38.6 x 75	#8 or M4

**Round Side Hinge, Barrel Down Style**



Part No.	Dimensions	Screw Size
GM-CH-I936606	38.5 x 75	#8 or M4

**Hatch Hinge, Barrel Up Style**



Part No.	Dimensions	Screw Size
GM-CH-A319292	76.2 x 98.4	#10 or M5